

Original MINI Accessories. Installation Instructions.



USB/iPod Interface Retrofit MINI ONE and COOPER (R 56) MINI COOPER S (R 56)

These installation instructions are only valid for cars with SA 6NB (Wave radio).

Retrofit kit No. 65 41 0 422 533 USB/iPod interface retrofit kit

Installation time

The installation time is **approx. 2.0 hours**. This may vary depending on the condition of the car and the equipment in it.

Important information

These installation instructions are primarily designed for use within the MINI dealership organisation and by authorised BMW service companies.

In any event the target group for these installation instructions is specialist personnel trained on MINI cars with the appropriate specialist knowledge.

All work must be completed using the latest MINI repair manuals, circuit diagrams, servicing manuals and work instructions in a rational order using the prescribed tools (special tools) and observing current health and safety regulations.

If you experience installation or function problems, limit troubleshooting to approx. 0.5 hours for mechanical or 1.0 hour for electrical work.

In order to reduce costs and avoid any additional expense, send a query immediately to the Technical Parts Support via the Aftersales Assistance Portal (ASAP).

Specify the following information:

- Chassis number
- Part number of the retrofit kit
- A precise description of the problem
- Work steps already carried out

Do not archive the hard copy of these installation instructions since daily updates are made by ASAP!

Pictograms



Denotes instructions that draw your attention to special features.

- ◀ Denotes the end of the instruction or other text.

Installation information

All pictures show LHD cars; proceed accordingly on RHD cars.

Ensure that the cables and/or lines are not kinked or damaged as you install them in the car. The costs thereby incurred will not be reimbursed by BMW AG.

Additional cables/lines that you install must be secured with cable ties.

If the specified PIN chambers are occupied, bridges, double crimps or twin-lead terminals must be used.

Ordering instructions for cars with SA 493 (storage package)

The iPod interface storage tray J is not included in the retrofit kit and must be ordered separately (part no. 65 15 0 428 922).

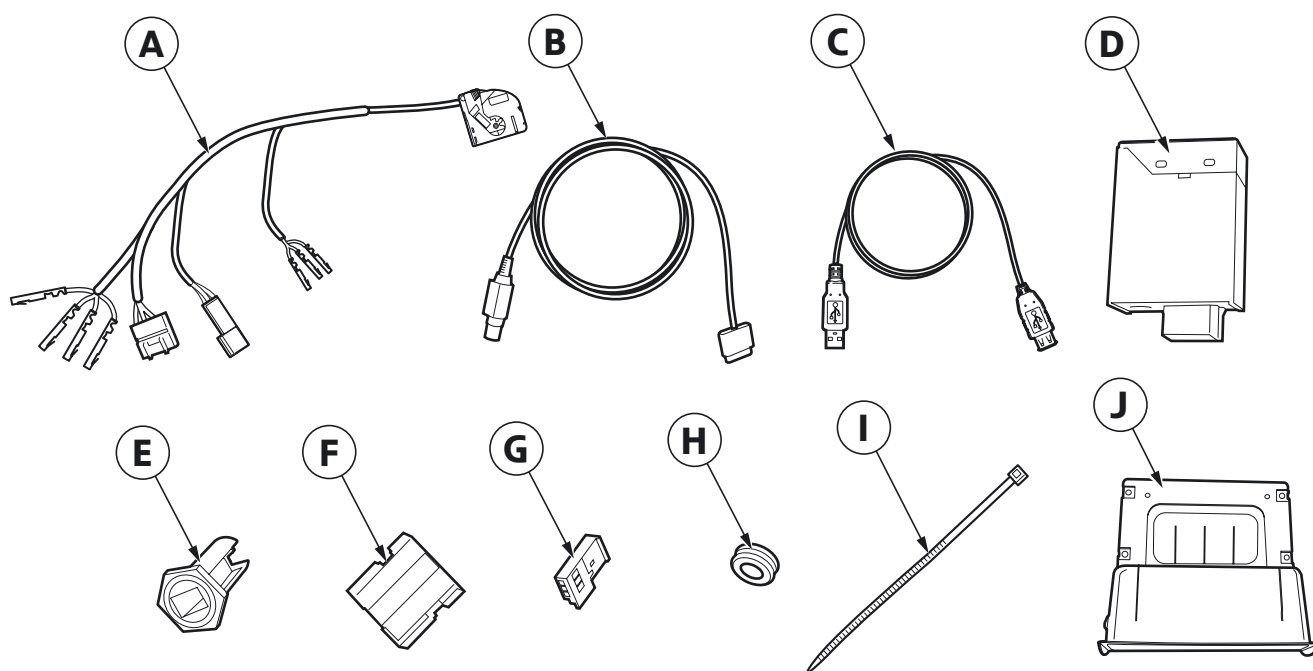
Special tools required

00 9 317 Trim wedge

Contents

Section	Page
1. Parts list	4
2. Preparatory work	5
3. Connection diagram	6
4. Installation and cabling diagram	7
5. To install iPod and USB connection cable in cars without SA 493 (storage package)	8
6. To install iPod and USB connection cable in cars with SA 493 (storage package)	9
7. To connect and install the cable kit and iPod interface	11
8. Concluding work and initialisation	13
9. Circuit diagram	14

1. Parts list



R56 0242 Z

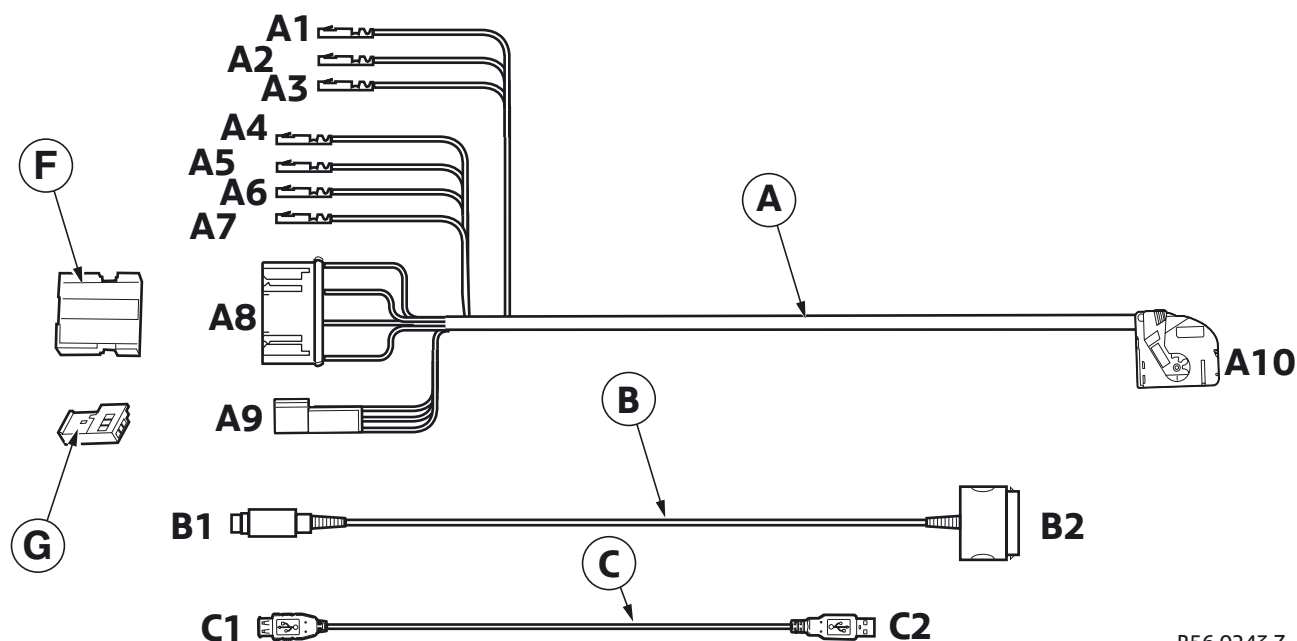
Legend

- A** Cable kit
- B** iPod connection cable
- C** USB connection cable
- D** iPod interface
- E** USB holder
- F** Black 4-pin socket casing
- G** Black 3-pin socket casing
- H** Grommet
- I** Cable tie (10x)
- J** iPod interface storage tray (not supplied with the retrofit kit)

2. Preparatory work

	TIS No.
Conduct a brief test	---
Disconnect negative pole of battery	61 20 900
The following components must be removed first of all	
Trim for the dashboard at the bottom	51 45 180
Trim for the centre console at the side	51 45 ...
Instrument cover	51 45 435
Centre console trim	51 16 160
Instrument cluster complete	62 10 125
Radio receiver	65 11 080
Additionally for cars with SA 493 (storage package)	
Oddments box (no longer required)	51 45 ...

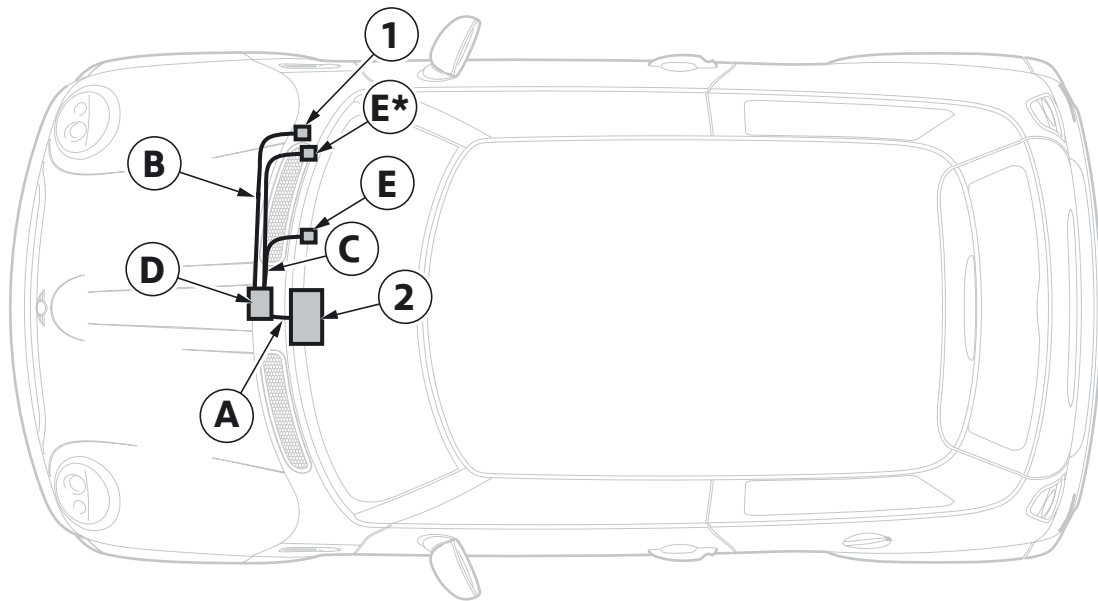
3. Connection diagram



R56 0243 Z

Branch/ Item	Designation	Signal	Cable colour / Cross-section	Connection location in the car	Abbreviation / Slot
A	Cable kit	---	---	---	---
A1	Socket contact	AUX L	SW 0.35 mm ²	On radio receiver	X13813 PIN 2
A2	Socket contact	AUX R	GE 0.35 mm ²	On radio receiver	X13813 PIN 7
A3	Socket contact	Shield	TR 0.35 mm ²	On radio receiver	X13813 PIN 8
A4	Socket contact	CAN H	GN/OR	On radio receiver	X13812 PIN 11
A5	Socket contact	CAN L	GN	On radio receiver	X13812 PIN 9
A6	Socket contact	TI. 30	RT/GN	On radio receiver	X13812 PIN 15
A7	Socket contact	Terminal 31	BR	On radio receiver	X13812 PIN 12
A8	Black 4-pin plug casing			On socket casing F	---
A9	Black 3-pin plug casing			On socket casing G	---
A10	Black 12-pin socket casing			To iPod interface D	---
B	iPod connection cable	---	---	---	---
B1	White 8-pin socket casing	---	---	To iPod interface D	---
B2	iPod connection plug	---	---	On iPod	---
C	USB connection cable	---	---	---	---
C1	USB connection (socket)			In USB holder	---
C2	USB connection (plug)			To iPod interface D	---
F	Black 4-pin socket casing	---	---	With the disconnected cables of plug X13812 of the radio receiver	---
G	Black 3-pin socket casing	---	---	With the disconnected cables of plug X13813 of the radio receiver	---

4. Installation and cabling diagram

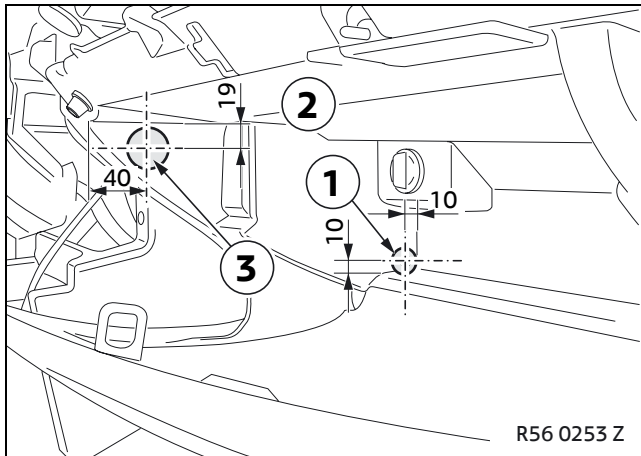


R56 0244 Z

Legend

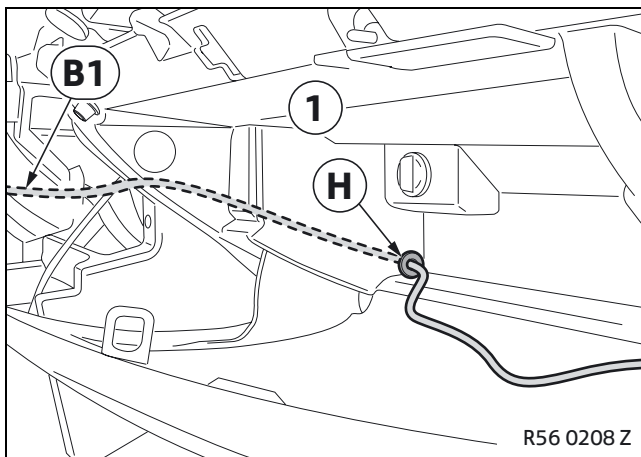
- A** Cable kit
 - B** iPod connection cable
 - C** USB connection cable
 - D** iPod interface
 - E** USB holder (for cars without SA 493 (storage package))
 - E*** USB holder (for cars with SA 493 (storage package))
-
- 1** iPod connection plug **B2**
 - 2** Radio receiver, plugs **X13812** and **X13813**

5. To install iPod and USB connection cable in cars without SA 493 (storage package)



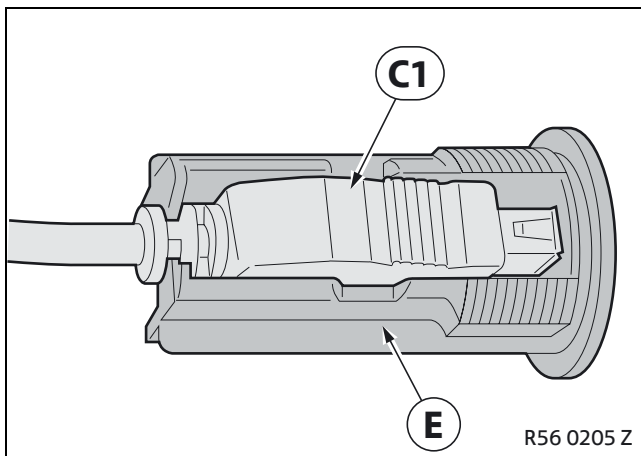
Drill a hole (1) in the glove compartment (2) using a 17 mm step drill bit according to the dimensions shown.

Drill a hole (3) in the glove compartment (2) using a 25 mm step drill bit according to the dimensions shown.

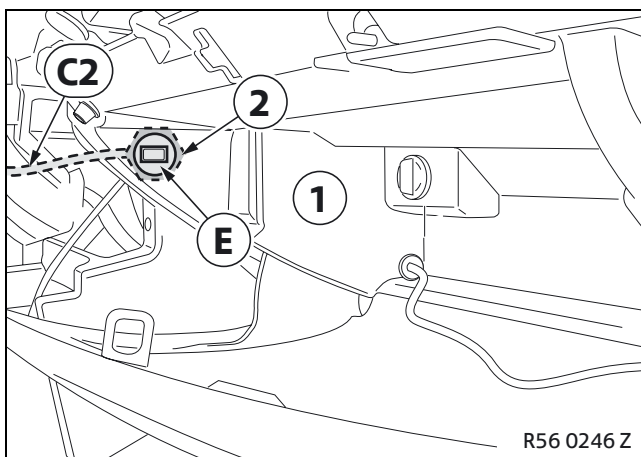


Install iPod connection cable **B** as follows:

- Route branch **B1** through the hole
- Push grommet **H** onto branch **B1** and insert it into the glovebox (1)
- Route branch **B1** to the vicinity of the radio receiver



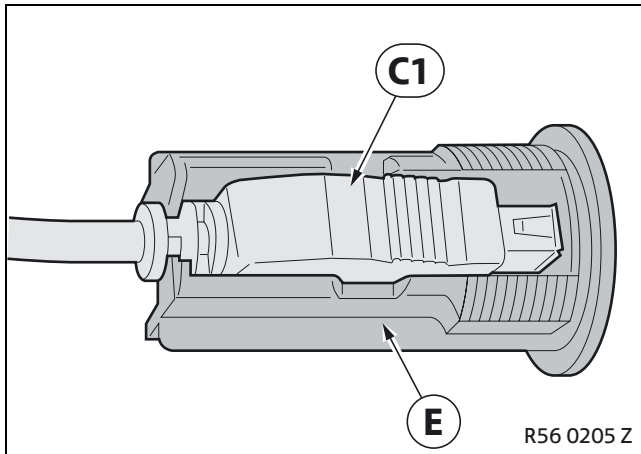
Insert branch **C1** (socket) of USB connection cable **C** into USB holder **E**.



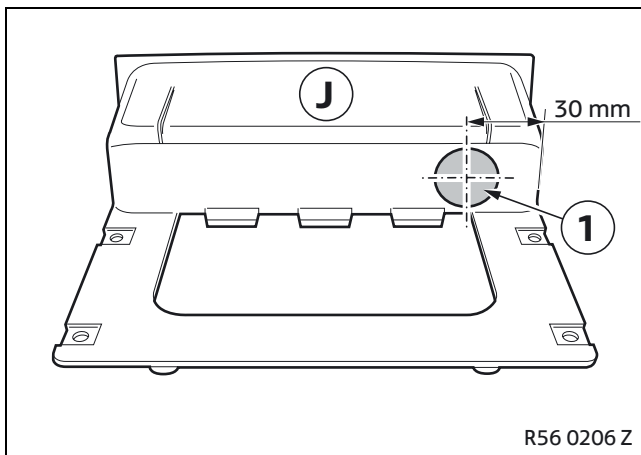
Install USB holder **E** as follows:

- Route branch **C2** through the hole
- Insert USB holder **E** in the glovebox (1) and screw on from behind using a retaining nut (2)
- Route branch **C2** to the vicinity of the radio receiver

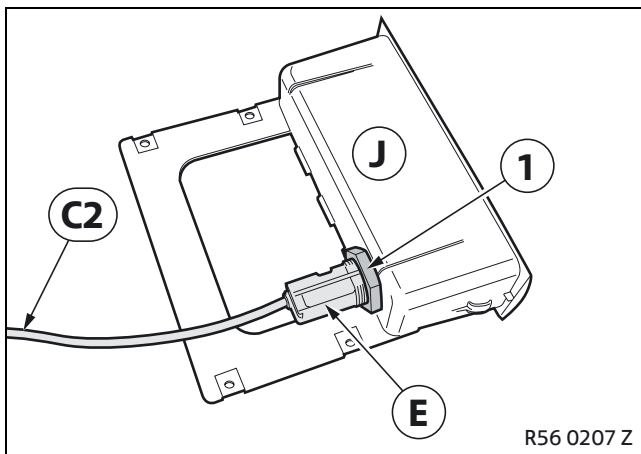
6. To install iPod and USB connection cable in cars with SA 493 (storage package)



Insert branch **C1** (socket) of USB connection cable **C** into USB holder **E**.

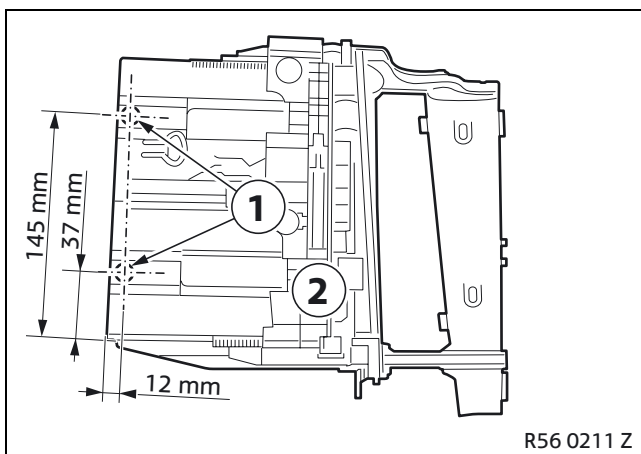


Drill a hole (1) in iPod interface storage tray **J** using a 25 mm step drill bit according to the dimensions shown.



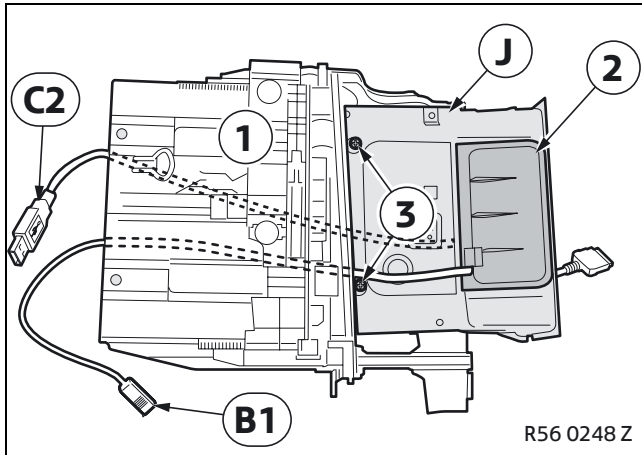
Install USB holder **E** as follows:

- Route branch **C2** through the hole
- Insert USB holder **E** into iPod interface storage tray **J** and screw on from behind using a retaining nut (1).



Mark the holes (1) according to the dimensions shown on the CD changer/oddments box holder (2) and drill through with a 5 mm twist drill bit.

6. To install iPod and USB connection cable in cars without SA 493 (storage package)

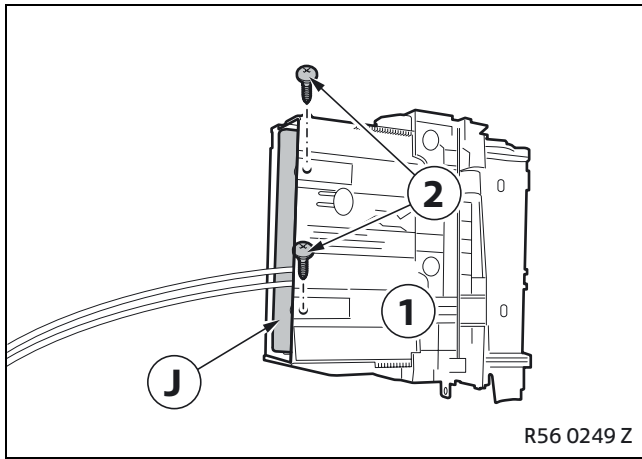


Remove screws (3) from iPod interface storage tray J (no longer required).

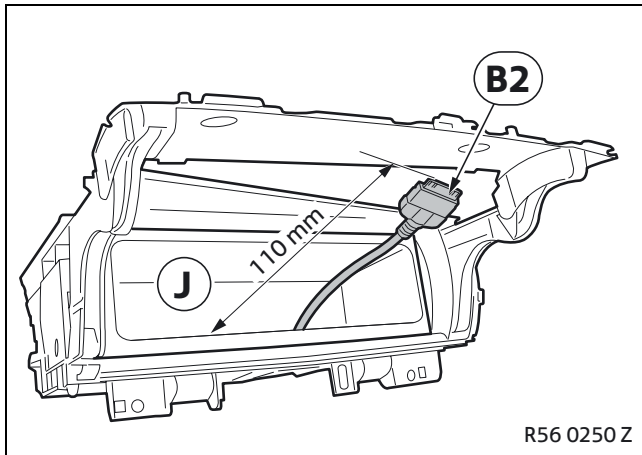
Guide branch **B1** through the opening in iPod interface storage tray J and fold lid (2) over.

Thread branches **B1** and **C2** through the opening in the CD changer/oddments box holder (1).

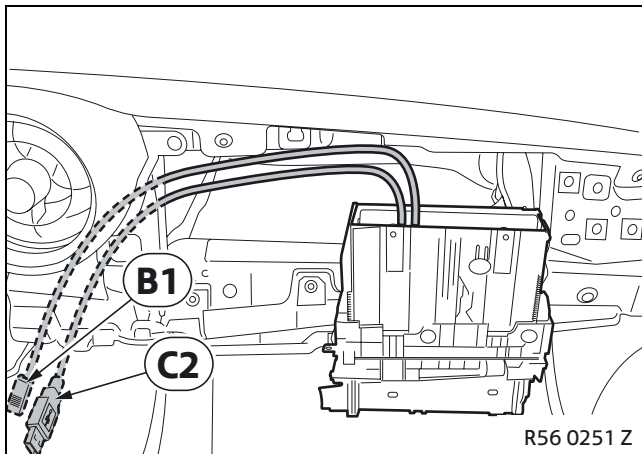
Insert iPod interface storage tray J in the CD changer/oddments box holder (1).



Attach CD changer/oddments box holder (1) to iPod interface storage tray J using screws (2) previously removed.

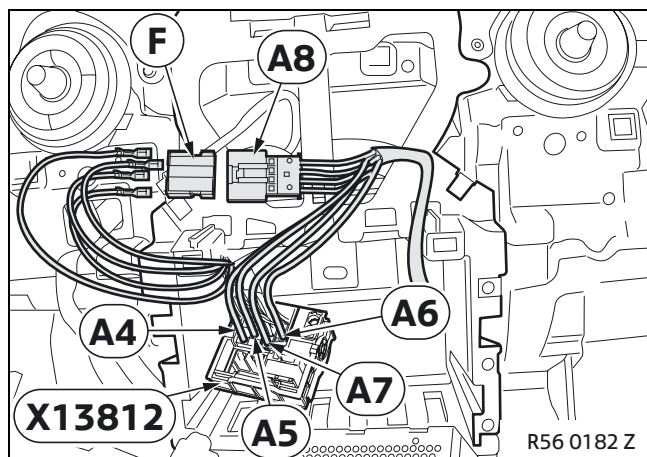


Pull branch **B2** out of iPod interface storage tray J as far as dimension shown.



Route branches **B1** and **C2** to the vicinity of the radio receiver.

7. To connect and install the cable kit and iPod interface



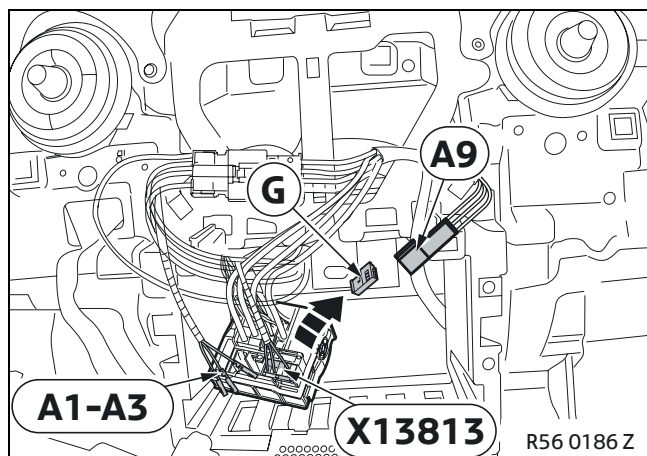
Disconnect the following cables from plug **X13812** (black 16-pin) of the radio receiver and connect to socket casing **F**:

- Brown cable from PIN 12 to socket casing **F** PIN 1
- Red/green cable from PIN 15 to socket casing **F** PIN 2
- Green cable from PIN 9 to socket casing **F** PIN 3
- Green/orange cable from PIN 11 to socket casing **F** PIN 4

Connect branches **A4 - A7** as follows to plug **X13812**:

- Branch **A4**, green/orange cable, to PIN 11
- Branch **A5**, green cable, to PIN 9
- Branch **A6**, red/green cable, to PIN 15
- Branch **A7**, brown cable, to PIN 12

Connect branch **A8** to socket casing **F**.



Disconnect the following cables from plug **X13813**

(black 12-pin) of the radio receiver and connect to socket casing **G**:

- Yellow cable from PIN 7 to socket casing **G** PIN 1
- Black cable from PIN 2 to socket casing **G** PIN 3
- Transparent cable from PIN 8 to socket casing **G** PIN 2

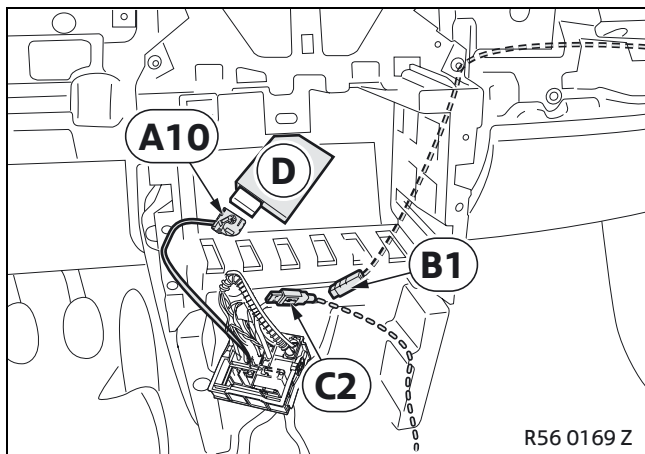
⚠ If the cable colours in the car do not match, the pin assignment must be observed. ◀

Connect branches **A1 - A3** to plug **X13813** as follows:

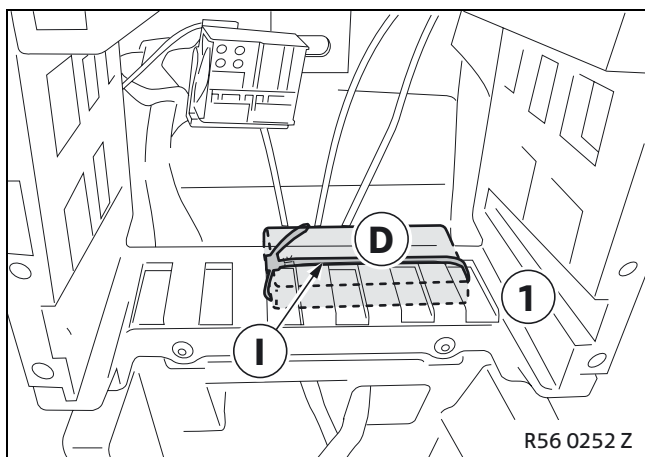
- Branch **A1**, black cable, to PIN 2
- Branch **A2**, yellow cable, to PIN 7
- Branch **A3**, transparent cable, to PIN 8

Connect branch **A9** to socket casing **G**.

7. To connect and install the cable kit and iPod interface



Connect branches **A10**, **B1** and **C2** to iPod interface **D**.



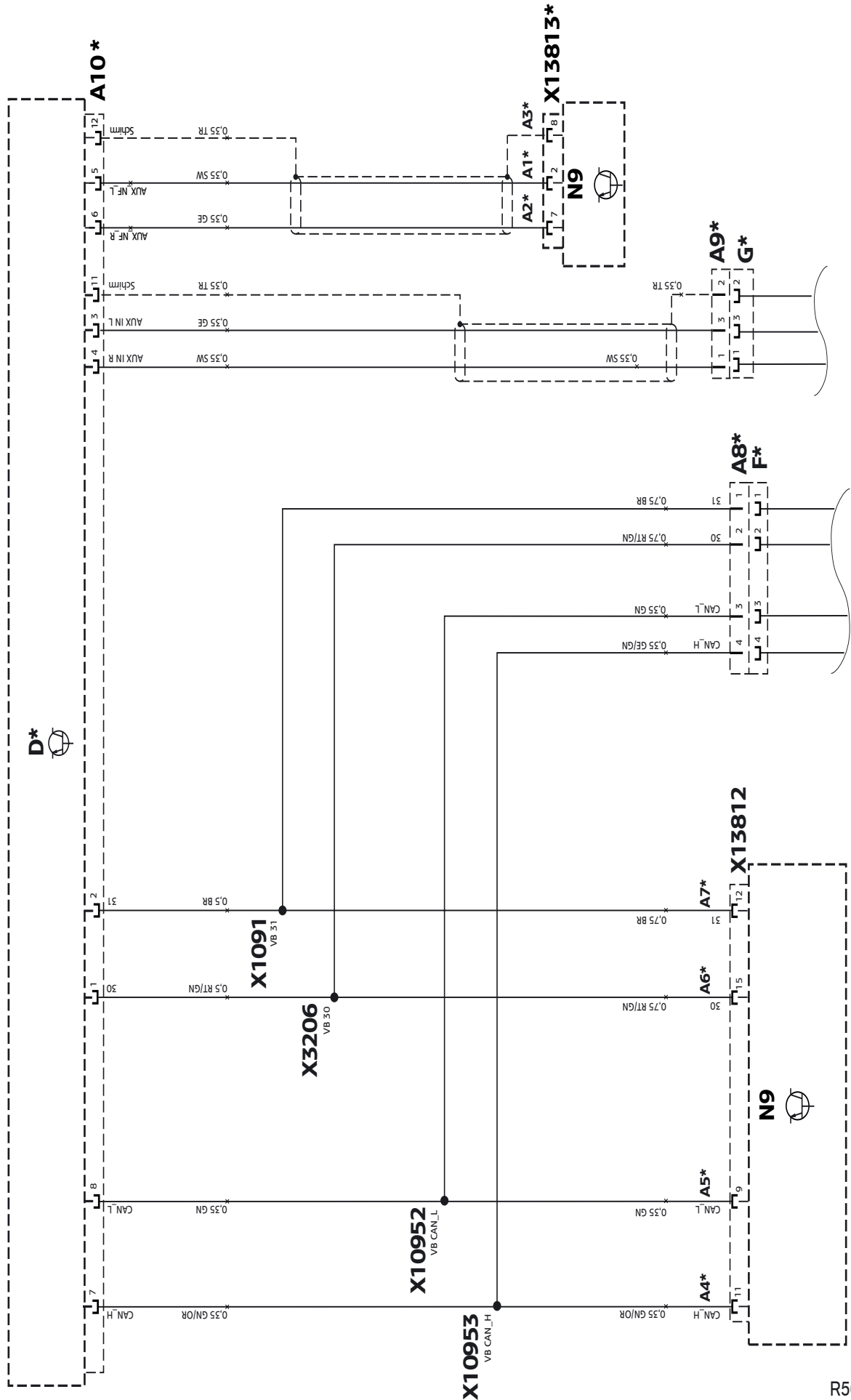
Secure iPod interface **D** to the support (1) using two cable ties **I** from underneath.

8. Concluding work and initialisation

This retrofit system does not require coding.

- Connect the battery
- Conduct a brief test
- Initialise the iPod as follows
 1. Disconnect the iPod if it is connected
 2. Switch on the ignition
 3. Switch on the radio
 4. Change to AUX mode
 5. Press and hold station button 2 until MINI appears on the radio display
 6. Switch off the ignition
- Conduct a function test
- Re-assemble the car

7. Circuit diagram



R56 0185 Z

7. Circuit diagram

Legend

A1*	Socket contact
A2*	Socket contact
A3*	Socket contact
A4*	Socket contact
A5*	Socket contact
A6*	Socket contact
A7*	Socket contact
A8*	Black 4-pin plug casing
A9*	Black 3-pin plug casing
D*	iPod interface
E*	USB-AUX in jack
F*	Black 4-pin socket casing
N9*	Radio receiver
X1091*	Terminal 31 connector
X3206*	Terminal 30 connector
X10952	CAN L connector
X10953	CAN H connector
X13812	16-pin radio plug
X13813	Black 12-pin socket casing

All the designations marked with an asterisk (*) apply only to these installation instructions or this circuit diagram.

Cable colours

BR	Brown	SW	Black
GN	Green	TR	Transparent
RT	Red	WS	White